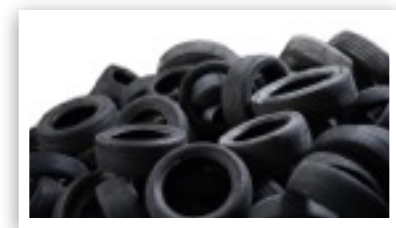
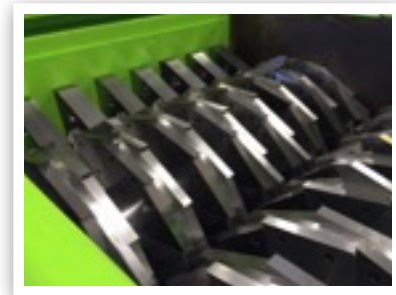


ECO Green Giant 120 - Two Shaft Shredder

Equipment Introduction

ECO Green's Green Giant 120 two-shaft shredder is designed with an aggressive low RPM, high torque shredding technology. Each shaft is driven by its own electric motor, giving it plenty of power to drive through tires and steel beads. However, debanding of large tires is strongly recommended.

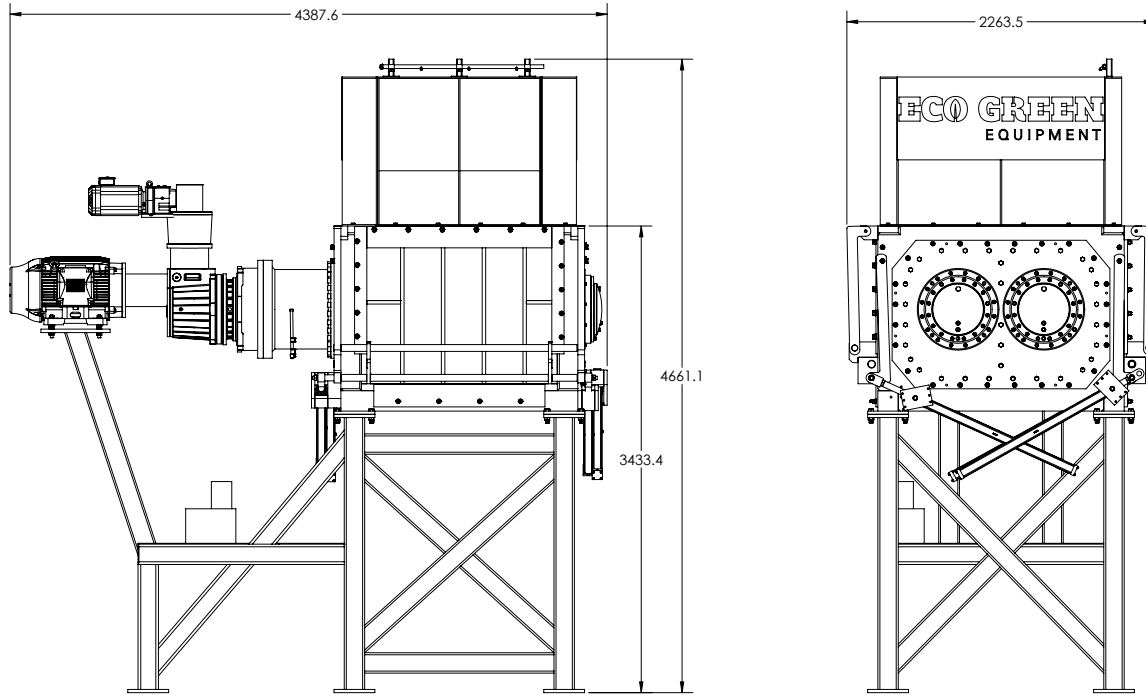
A new patent pending knife design features up to 12 cutting edges for production cost savings. All of our blades are made from hardened tool steel. The shredder can process Car, Truck, Super Singles, Semi OTR, and Cut OTR Pieces. Ask about the new interchangeable knife design!



sales@ecogreenequipment.com
Phone: 1-801-505-6841

425 North 400 West, Building 3A
North Salt Lake, Utah 84054 USA





**Drawing displayed is representational. Actual equipment layout may differ from shown. Consult with an ECO Green Equipment representative for actual equipment drawings and facility layout plan.*

The ECO Green Advantage

- Exclusive ECO Control System - Controls and operates the equipment from its centrally located position and provides instant visibility to what each machine is doing in real time.
- Unique Stop/Auto Reversal Feature - Protects against overfeeding and damage by non-processable items.
- Advanced Bearing Housing - Isolates bearings from cutting chamber contamination and protects against bearing failure.
- Premier Full Turn-key Systems - are manufactured and shipped ready to be installed and start recycling.
- ECO Warranty - one of the best warranties in the industry.



sales@ecogreenequipment.com
Phone: 1-801-505-6841

425 North 400 West, Building 3A
North Salt Lake, Utah 84054 USA



Equipment Specifications

ECO Green Giant - Two-shaft Shredder	
Specifications	ECO TS-120-75-100-M
Input Material	Whole Tires up to 1200 mm (48" inches) Chopped up Mining Tires (Debeaded) Off The Road (OTR) Tires (Debeaded) Rough Shreds
Output Material	Rough Shreds Can produce chips down to 50 mm (2" inches) with the addition of screening and recirculating equipment
Max Capacity	Up to 30 metric TPH
Power	Standard is 150 kW (200 HP)
Weight	24,000 Kgs (52,800 lb)
Dimensions L x W x H	4,340 x 2,570 x 4,664 mm (171" x 101" x 184" inches)
Number of Shafts	2
Number of Knife Inserts	384 (24 per Blade)



<p>Description ECO Green Giant Two-shaft Shredder Series ECO TS-120-75-100-M</p>	<p>ECO Green's Green Giant Series two-shaft shredder efficiently shreds scrap tires into uniform rough shreds from 2" - 6" inches. Powered by two 75 kW (100 HP) electric motors, the shredder features a 1209 mm x 1524 mm (48" inch x 60" inch) cutting chamber.</p> <p>The ECO Green Giant 120 shreds tires and recirculates (optional) until the desired size is reached. The shredding process can perform up to 30 tons/hr of 8" inch minus rough shreds and can process up to 15 tons/hr of 2" - 6" minus rough shreds with recirculation options installed.</p>
--	---

"Your Best Return on Investment and Environment"

Call Us Today! +1 (801) 505-6841 USA

