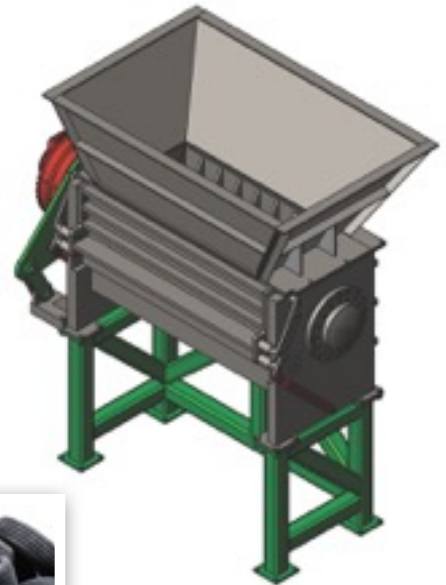


## The ECO Monster Single-shaft Shredder

### Equipment Introduction

ECO Green's Monster single-shaft shredder is designed with an aggressive low speed, high torque shredding technology. The shaft is driven by its own Haggglunds hydraulic motor and a hydraulic power unit enabling automatic reverse for overload protection reducing knife damages.

- The shredder blade thickness ranges from 38 mm to 102 mm (1.5" - 4") depending on the type of tires, throughput, and desired end product.
- The ECO Single Shaft can process pre-cut OTR tires, truck tires, and car tires at a rate of up to 12 metric tons per hour.
- The unit can process difficult items such as cables, refrigerators, municipal solid waste, plastics, and aluminum scrap waste.
- Quick and easy design for knife changes.
- Low maintenance and operating costs.



## Equipment Specifications

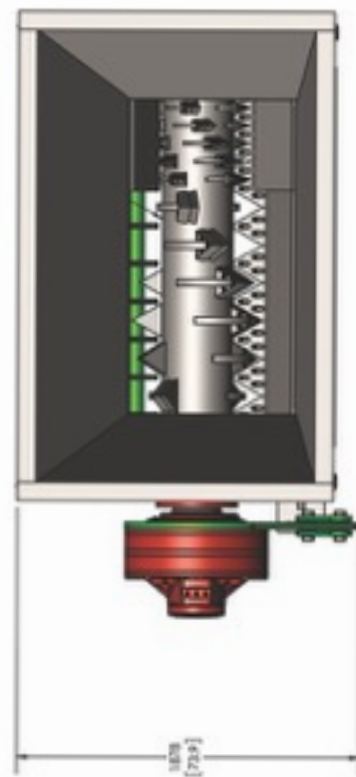
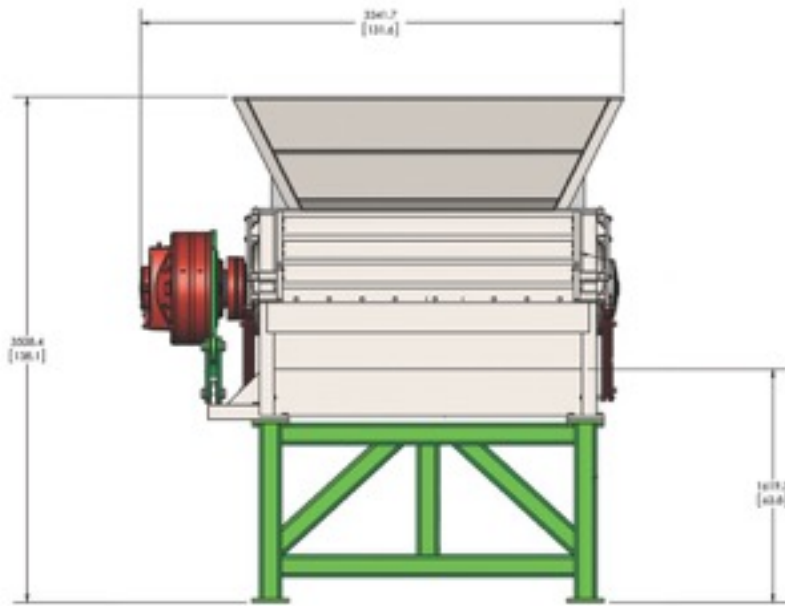
ECO Monster Single-shaft Hydraulic Shredder	
Specifications	ECO SS-193-400-250-H
Input Material	Whole Tires up to 1930 mm (76" inches) Chopped Mining Tires (Debeaded) Off The Road (OTR) Tires (Debeaded) Rough Shreds
Output Material	Rough Shreds Can Produce Chips down to 50 mm (2" inch) with the addition of screening and recirculating equipment
Max Capacity	Up to 12 metric TPH
Power	187 kW (250 HP)
Shredder Weight	13,600 kg (30,000 lb)
Shredder Dimensions L x W x H	3,400 x 1,400 x 4,165 mm (135" x 56" x 164" inches)
Hydraulic Power Unit (HPU) Weight (dry)	1,818 Kg (4,000 lbs.)
Hydraulic Power Unit (HPU) Dimensions L x W x H	2,743 x 914 x 1,829 mm (108" x 36" x 72" inches)
Number of Rotors	1
Number of Fly Knives	18
Number of Bed Knives	10



Description  
ECO SS-193-400-250-H Monster  
Single-shaft Shredder

ECO Green's Monster single-shaft shredder is designed with an aggressive low RPM, high torque shredding technology. One 250 HP hydraulic motor engages a 1956 mm x 900 mm (77" inch x 35" inch) cutting chamber.

The shredder can process Semi OTR tires, (debeading required), large truck tires, and car tires at a rate of up to 12 tons an hour. Output provides 6" inch minus rough shreds.



*\*Drawing displayed is representational. Actual equipment layout may differ from shown. Consult with an ECO Green Equipment representative for actual equipment drawings and facility layout plan.*

