

ECO Grater - Secondary Shredder

Equipment Introduction

The ECO Green Grater is the ultimate machines for mid-stream grinding and steel separation. It is designed to take pre-shredded tires chips and produce between 44-16 mm (1.75" and 0.625" inch) wire free rubber chips.

The ECO Grater can process up to 12 metric tons of input per hour. The main rotor housing is equipped with replaceable wear plates to increase the durability and longevity of the cutting chamber. Another unique feature of this machine is the ability to turn the knives once before having to send them to be sharpened or replaced, minimizing operating costs.

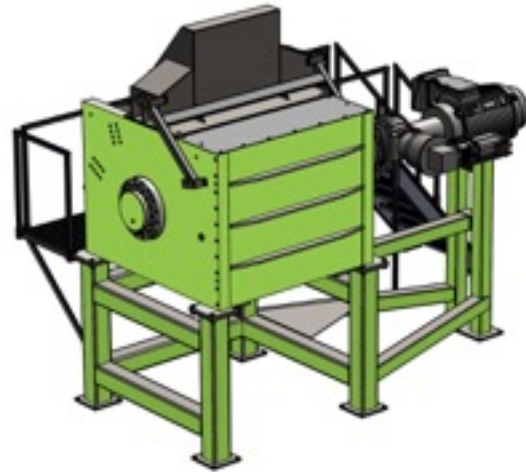
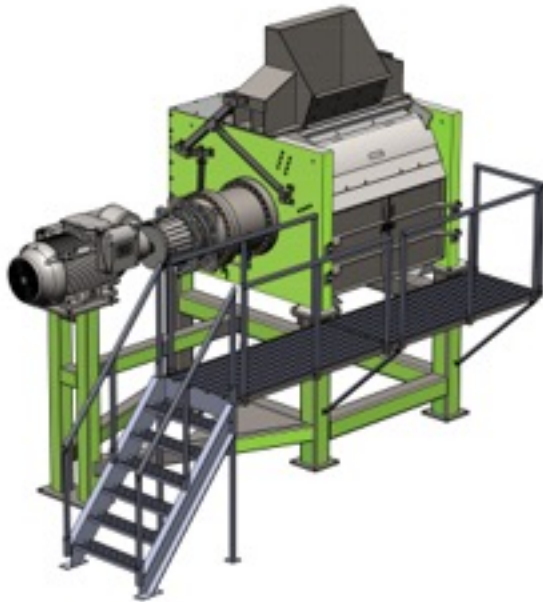


Equipment Specifications

ECO Grater - Secondary Shredder	
Specifications	ECO-GR-101-109-250-M
Input Material	Tire Shreds smaller than 150 mm (6" inches)
Output Material	Up to 99% Wire-free rubber chips Liberated Steel
Max Capacity	Up to 12 metric TPH
Power	187 kW (250 HP)
Weight	19,000 kg (41,800 lbs)
Equipment Dimensions L x W x H	5,260 x 3,040 x 3,884 mm (17' x 10' x 13' feet)
Number of Rotors	1
Number of Fly Knives	80
Number of Bed Knives	34
Description ECO Grater ECO GR 101-109-250-M	<p>The ECO Grater 101 efficiently grinds primary rough shreds into small (1" inch) minus wire-free rubber mulch. Powered by a 187 kW (250 HP) electric motor, the machine features a 1016 x 1270 mm (40" x 50" inches) cutting chamber.</p> <p>The ECO Grater 101 liberates steel leaving wire-free rubber mulch. Input rate is up to 12 metric tons/hour.</p>



ECO GREEN EQUIPMENT



**Drawing displayed is representational. Actual equipment layout may differ from shown. Consult with an ECO Green Equipment representative for actual equipment drawings and facility layout plan.*

The ECO Green Advantage

- Exclusive ECO Control System - Controls and operates the equipment from its centrally located position and provides instant visibility to what each machine is doing in real time.
- Unique Stop/Auto Reversal Feature - Protects against overfeeding and damage by non-processable items.
- Advanced Bearing Housing - Isolates bearings from cutting chamber contamination and protects against bearing failure.
- Premier Full Turn-key Systems - are manufactured and shipped ready to be installed and start recycling.
- ECO Warranty - one of the best warranties in the industry.
- We provide the most accurate information available but reserve the right to change specifications, details, and equipment information at any time. Call us today to learn more about our equipment!



sales@ecogreenequipment.com
Phone: 1-801-505-6841

425 North 400 West, Building 3A
North Salt Lake, Utah 84054 USA

