

Rubber Powder System / ECO Krumbuster® Hydraulic Mill



Featuring Häggblunds Hydraulic Motors



Multiple Roll Corrugations Available
Sealed, Low Grease Bearings



Custom Hydraulic Components



The ECO Brain Control Panel



ECO Krumbuster® Forged Shaft Design

Order as a Stand-Alone
Cracker Mill or Integrate
into a Full System



ECO KRUMBUSTER®
The Next Generation of Cracker Mills

The ECO Krumbuster® is the heart of the Rubber Powder Module, producing up to 99.9% wire- and fiber-free rubber powder. Output produces rubber powder smaller than 0.850 mm (850 Microns). The ECO Rubber Powder Module is available with an output capacity of up to 1.5 metric tons per hour of powder.

Authorized ECO Green Equipment Distributor:

Call Now. Request a Free Quote:
USA +1-801-505-6841

ECO GREEN
EQUIPMENT
ecogreenequipment.com



Rubber Powder System / ECO Krumbuster® Hydraulic Mill

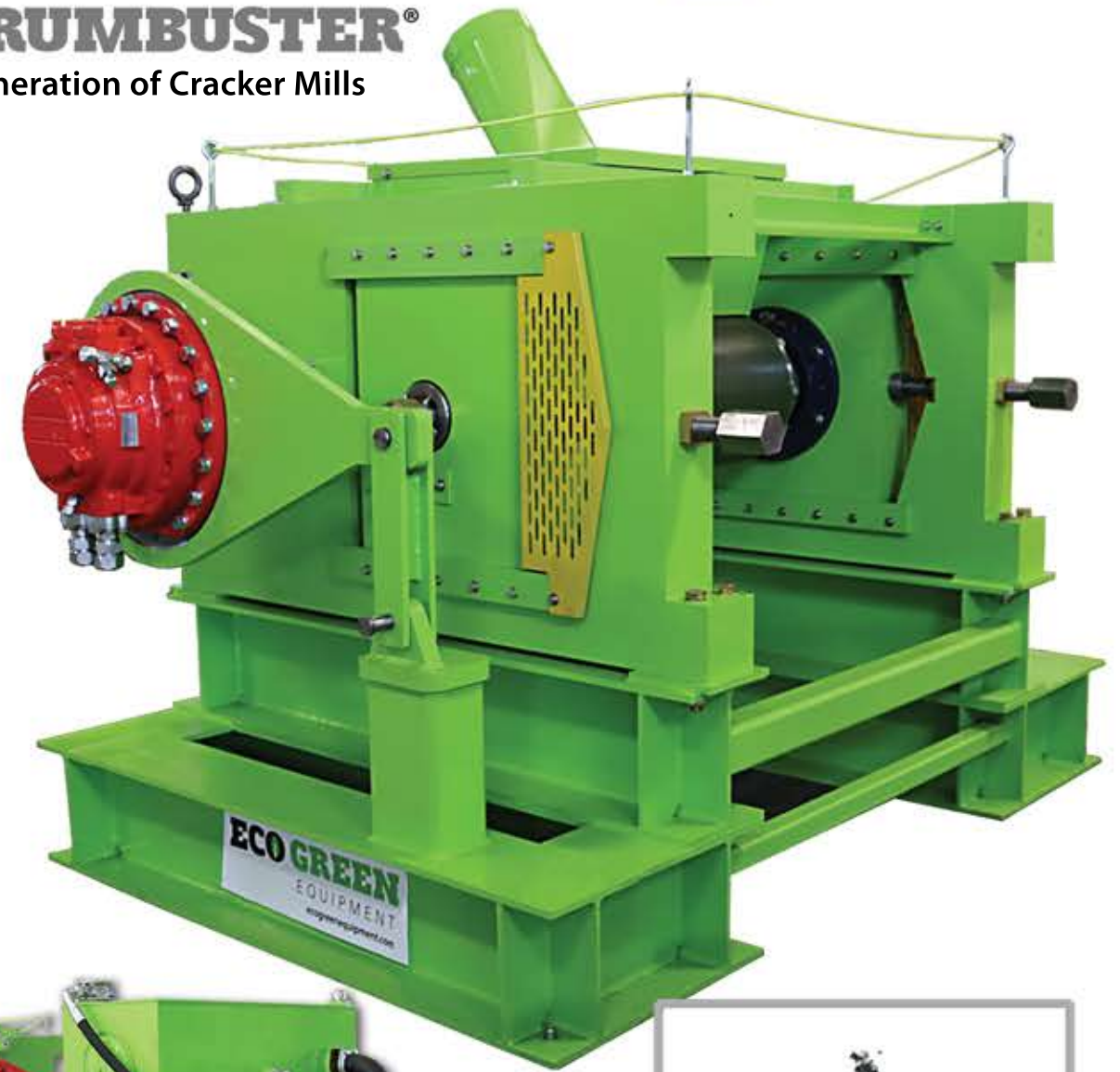
The ECO Green Tire Recycling Systems
8 State-of-the-Art Integrated Systems

ECO GREEN
EQUIPMENT



ecogreenequipment.com

ECO KRUMBUSTER®
The Next Generation of Cracker Mills



ECO Krumbuster®
with Hydraulic Power Unit



Rubber Powder System / ECO Krumbuster® Hydraulic Mill

The ECO Krumbuster® is the Next Generation of Hydraulic Cracker Mills for Fine Rubber Processing!

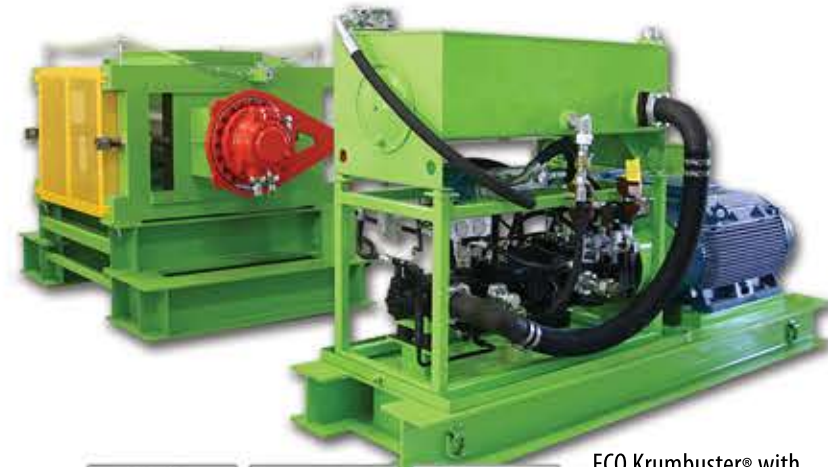
The ECO Krumbuster® Rubber Powder Module is the perfect solution for processors who demand fine rubber powder output in commercial quantities.

Choose either a fully-configured module line complete with accessory conveyors, augers, screeners and bagging station, or a separate ECO Krumbuster® Mill with hydraulic power unit.

- ▶ Lower Maintenance and Energy Costs in Less Space
- ▶ New Technology Increases Grinding Power using Patented Advanced Hydraulics
- ▶ Cuts Bearing Grease by More Than Half
- ▶ Forged Steel Shafts, Enclosed Double-Row Spherical Bearings
- ▶ Commercial Output Down to 0.850 mm (850 microns)
- ▶ Virtually Eliminates Maintenance Downtime
- ▶ Surpasses Conventional Cast-Iron Cracker Mill Output up to 50%
- ▶ Financing Options for USA Clients
- ▶ Handles Various Input Sizes (Granulates, Buffings, and Chips)
- ▶ The ECO Krumbuster® is the Leading Technology for Fine Powder Milling.

The ECO Rubber Powder Module Provides Quality Rubber Output for the following Secondary Applications:

- ▶ Rubberized Asphalt Applications
- ▶ New Tire Manufacturing
- ▶ Rubber Reclaim and Devulcanization Applications
- ▶ Thermoplastic Elastomers
- ▶ Automotive Parts & Tires
- ▶ Spray and Sealant Applications
- ▶ Membranes



ECO Krumbuster® with Hydraulic Power Unit

Input: Wire-free Chips / Mulch
Output: Clean Crumb Rubber and Rubber Powder



ECO Krumbuster® Rubber Powder System Installed in Europe.



ECO Krumbuster® Assembly in the ECO Green Equipment USA Facility.

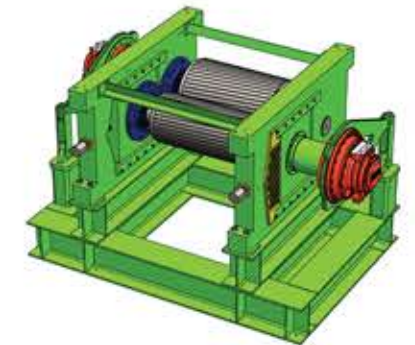
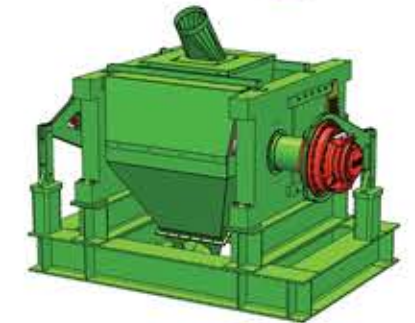
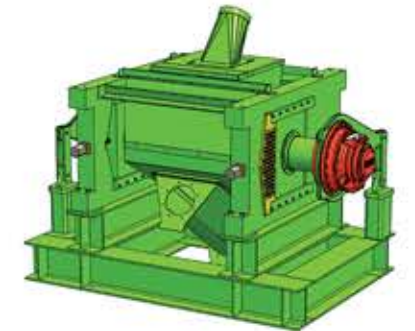
ECO KRUMBUSTER®

The Next Generation of Cracker Mills

ECO Krumbuster® Hydraulic Mill Specifications and Descriptions

Model Number ECO KB-76-55-300-H

Item	Specifications
Input Material	Wire-free and Fiber-free Chips 6 mm (0.25" -inch) and smaller
Output Material	Rubber Powder from 0.850 mm (850 microns) and smaller depending on screening. Liberated Steel Liberated Fiber
Max Capacity	Up to 1.5 metric TPH
Mill Power	225 kW (300 HP)
Mill Weight	5,500 kg (12,000 lbs.)
Friction Ratio	1:80
Mill Dims L x W x H	4,340 x 2,570 x 4,664 mm (14' 3" x 8' 5" x 15' 3" ft)
Hydraulic Power Unit (HPU) Weight	2,045 kg (4,500 lbs.)
Hydraulic Power Unit (HPU) Dimensions L x W x H	3,353 x 914 x 1,829 mm (11' x 3' x 6' ft)
Number of 406 mm (16" inch) rolls	1
Number of 559 mm (22" inch) rolls	1
Description	ECO Green's patented ECO Krumbuster® Fine Grinding Mill efficiently grinds crumb rubber into rubber powder down to 0.850 mm - 0.177 mm (850 - 177 microns). Powered by a 225 kW (300 HP) hydraulic power unit, the ECO Krumbuster® features a 762x 406-559 mm (30"x 16"-22" -inch) roll size. The ECO Krumbuster® grinds and mills until the desired size is reached. The fine milling process grinds up to 1.5 metric tons/hour of 0.850 mm (850 microns) minus.



ECO Rubber Powder System Specifications and Descriptions

Model Number ECO RP-KB-1.5-850 System

Item	Specifications
Input Material	Wire-free and Fiber-free Crumb Rubber 6 mm (0.25" -inch) and smaller with no foreign materials.
Output Material	Rubber Powder smaller than 0.850 mm (850 microns)
Max Capacity	Up to 1.5 metric TPH
System Power	Standard is 295 kW (394 HP)
System Dimensions L x W x H	13904 x 5507 x 6130 mm (45' 8" x 18' x 20' 2" ft) (9.25' x 5.75' x 5.25' ft)
Estimated Shipping Loads	2 to 4
Description	ECO Green's RP-KB-1.5-850 Rubber Powder System efficiently grinds crumb rubber into rubber powder smaller than 0.850 mm (850 microns). The system features the ECO Krumbuster® Hydraulic Mill as the main equipment with complementary feed bin, conveyors, and separation equipment, which return clean, high-quality rubber powder.



CUTTING EDGE INNOVATION IN TIRE RECYCLING

ECO GREEN
EQUIPMENT



ecogreenequipment.com